

Technical data sheet

Bearing dismounting toolset TP 150

Twin Puller TP 150 – Professional dismounting of deep groove ball bearings and radial shaft seals



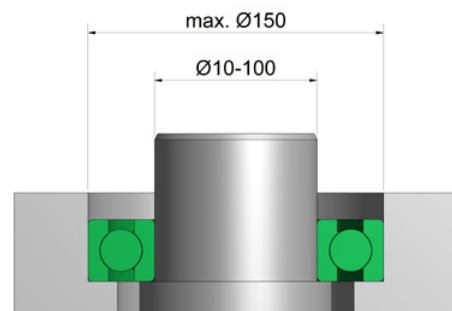
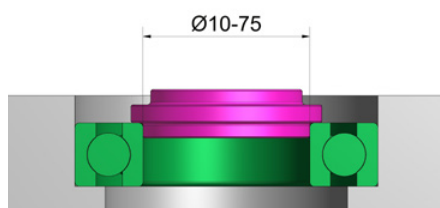
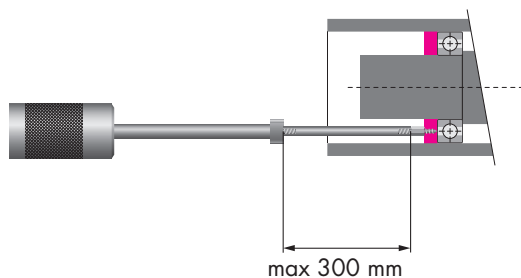
The simatool Twin Puller TP 150 can be used to expertly dismount deep groove ball bearings and radial shaft seals. Bearings with a tight fit on the inner or outer ring can be quickly and reliably dismounted with the help of this tool. The TP 150 can also be used to dismount shaft seals, thus making it a unique and professional dismounting tool.

Case contents:

- 6 sets of extraction arms (A1–A6)
- 2 threaded spindles (SW 19)
- Grip handle
- 9 support washers (Ø 10–75 mm)
- Sliding hammer
- Extension for sliding hammer
- 50 tapping screws
- 10 spacer rings

Description and technical data of Twin Puller TP 150

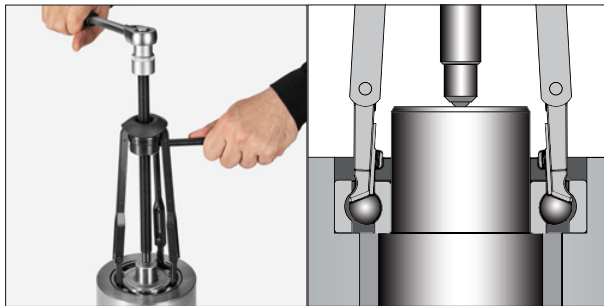
- Suitable for shaft diameters from 10 to 100 mm and external diameters up to 150 mm
- Three dismounting functions in one tool set
- Compact toolset includes a selection table in a handy case
- Perfect complement to the well-proven simatool Fitting Tool FT 33
- Weight of the case 6,6 kg / dimensions (L x W x H) 440 x 350 x 95 mm



Technical data sheet

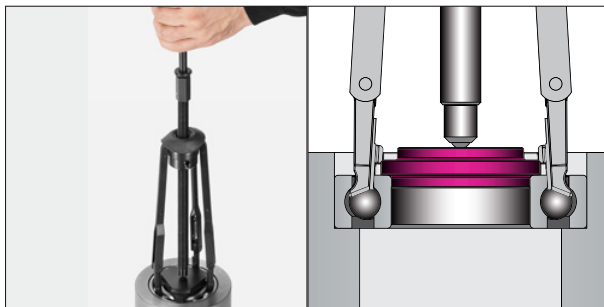
Bearing dismounting toolset TP 150

Professional dismounting with Twin Puller TP 150



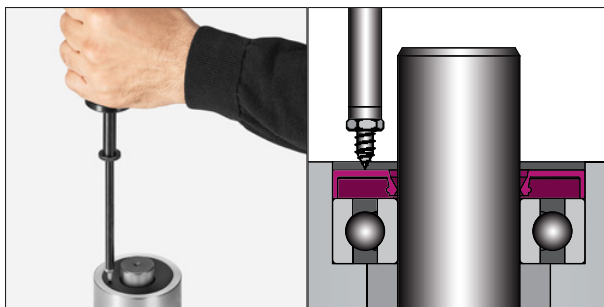
Removing deep groove ball bearings with a press fit on the inner ring (shaft)

Place the extraction arms between the rolling elements in the bearing. Use the threaded spindle to remove the bearing from the shaft.



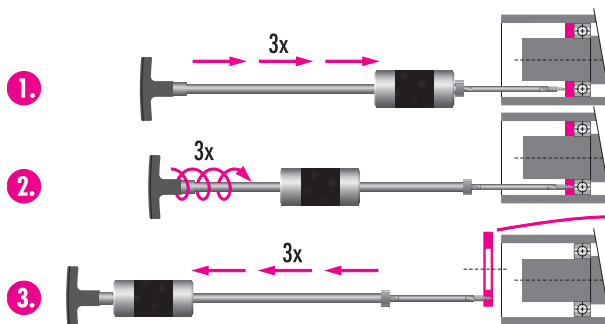
Removing deep groove ball bearings with a press fit on the outer ring (housing)

The support washer replaces the shaft on the inner ring and is tensioned using the threaded spindle. Remove the bearing by using the sliding hammer.

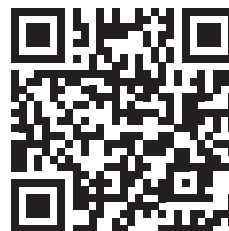


Removing radial shaft seals

Hammer the tapping screw into the seal and screw it in. Remove the seal by hitting it in the opposite direction with the sliding hammer.






Application videos on www.simatec.com



Technical data sheet

Bearing dismounting toolset TP 150

Selection table Twin Puller TP 150

					
Bearing name				Puller arm	Spindle size
60..	62..	63..	64..		
6000.....6002 6001.....6003	6200			BP A1	BP M12
6004.....6006 6005	6201.....6002 6202 6203			BP A2	
6007.....6009 6008.....6010	6204 6205	6300.....6302 6301		BP A3	
6011.....6013 6012	6206	6303 6304		BP A4	BP M16
6014.....6016 6015.....6017	6207.....6210 6208.....6011 6209	6305 6306 6307	6403	BP A5	
6018.....6020 6019	6212.....6215 6213.....6216 6214.....6217	6308.....6311 6309.....6312 6310.....6313	6404.....6408 6405.....6409 6406.....6410 6407	BP A6	