

# Automatic lubricators



**simalube**

 SWISS MADE



## simalube

Advantages of automatic lubrication with simalube	3
simatec app «simatec world of maintenance»	4
simalube – the lubrication expert	5/6
simalube 15 ml	7
simalube IMPULSE connect	8
simalube multipoint	9
Applications	10/11
Standard lubricants	12/13
Accessories	13/14/15

## simalube: continuous lubrication ensures low costs and high reliability

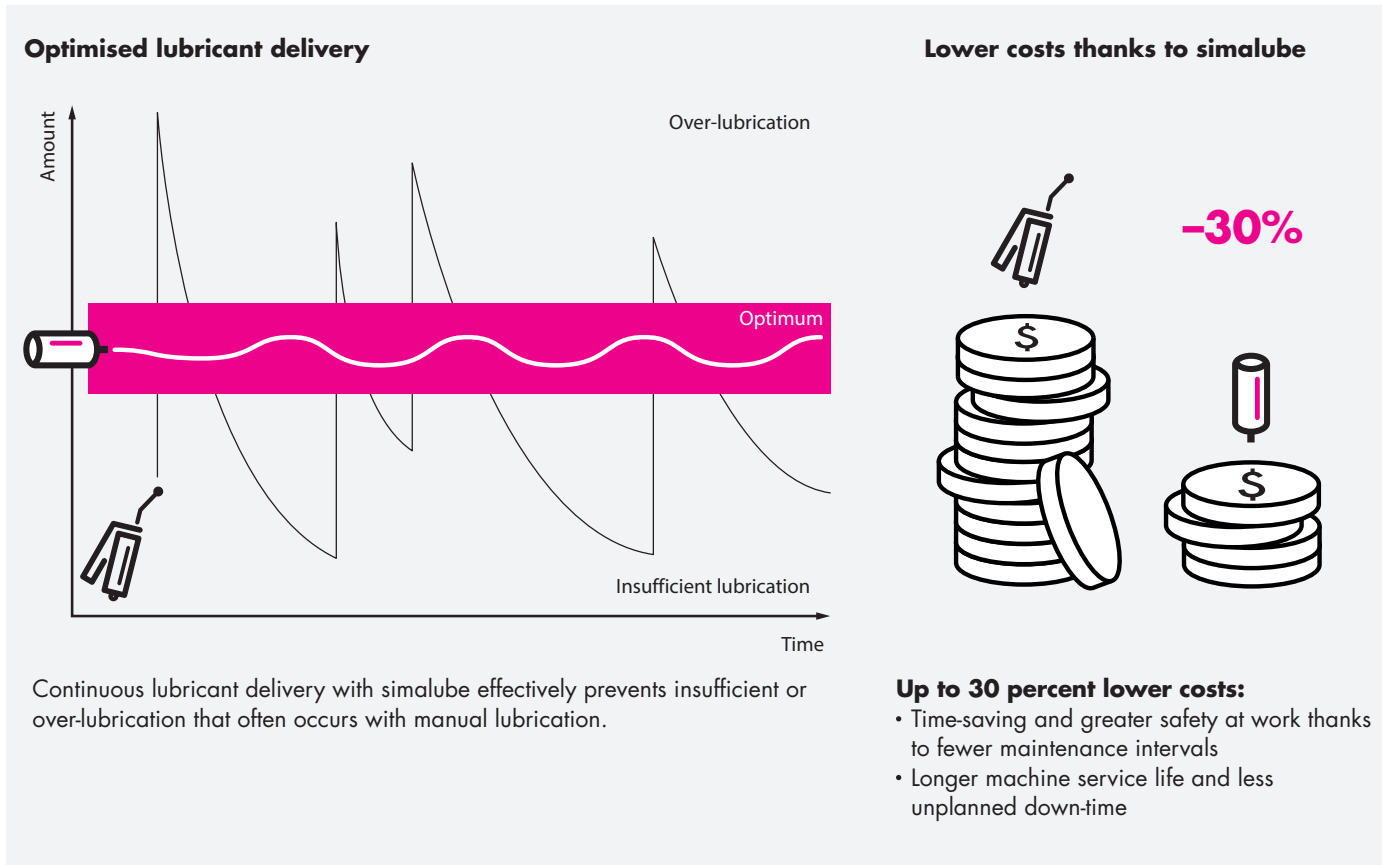
Millions of simalube lubricators are used worldwide in every industry. They are the best and most economical solution for the continuous supply of grease or oil for periods of up to one year.

**simalube – everywhere forces act, something spins or something moves.**



# Advantages of automatic lubrication with simalube

simalube lubricators replace costly manual lubrication. This not only saves time, but also prevents insufficient or over-lubrication. The costs can thus be reduced by up to 30 percent.



## Your benefits of automatic lubrication with simalube



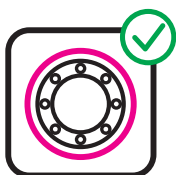
### No more manual lubrication

- Saves time
- Greater work safety
- Hard-to-reach lubrication points are permanently supplied
- Lower lubricant consumption



### No under- or over-lubrication of components

- Less wear
- Less machine downtime
- Increased machine performance



### Sealed, dustproof and waterproof system

- No more confusion of lubricants
- Reduced risk of contamination
- No contamination of lubrication points



### Compliance with international standards

- Ex certified in all zones
- Improved workplace safety
- No environmental impact thanks to recycling and disposal according to regulations



## READY TO LIFT OFF TO THE WORLD OF MAINTENANCE



Explore the next level of automatic lubrication: **simalube IMPULSE connect**

## simatec app «simatec world of maintenance»

With the simatec app «simatec world of maintenance», simatec ag has created a platform for simpler and more efficient management of lubrication work. The app offers the user the options of recording lubrication points, recording the required parameters for lubrication and controlling or monitoring all activities related to lubrication.

### Your personal simatec assistant for efficient and connected monitoring

#### Functionality

- Configuration and monitoring of lubrication points with the «simatec world of maintenance» app
- Creation of electronic lubrication schedules (Lubechart)
- Calculation programme for the correct setting of your lubricators (Calculation Pro)

#### Customer benefits

- simatec products can be controlled with the «simatec world of maintenance» app
- Creation of personalised, electronic lubrication plans with continuous monitoring of all lubrication points
- Thanks to the new Lubechart feature, all lubrication points (manual/automatic) can be managed
- Cost savings thanks to safe, simplified and efficient maintenance operations
- Installation videos help with the correct installation of the products
- No production interruptions for maintenance and monitoring purposes, resulting in higher availability of the production facilities



Get the app «simatec world of maintenance»



# The lubrication expert



## simalube – the automatic single-point lubricator

Available in 5 sizes, simalube supplies various lubrication points with lubricant around the clock. Day in, day out – for up to one year.

### Take advantage of the simalube benefits

#### Reliability

- Lubrication points are continuously supplied with lubricant
- No lubrication point is missed
- Easy monitoring of the dispensing process thanks to the transparent housing

#### Environmental sustainability

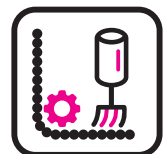
- simalube can be refilled up to 3 times
- Easy disposal at the end of the dispensing cycle
- simalube lubricators do not contain toxic substances

#### Flexibility

- simalube is available in 5 sizes: 15, 30, 60, 125 and 250 ml
- Freely selectable dispensing cycle of 1 to 12 months
- Dispensing cycle can be modified anytime
- simalube is available filled or empty for self-filling

#### Unlimited range of uses (see pages 10/11)

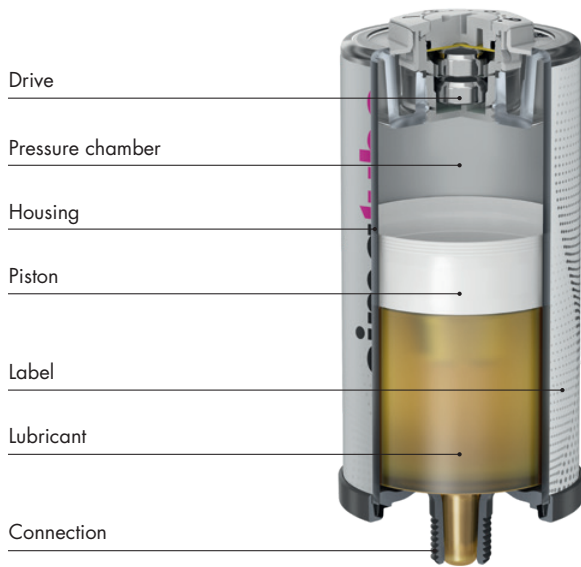
- In confined and hard-to-reach spaces
- In any location, even underwater
- At ambient temperatures of  $-20\text{ °C}$  to  $+55\text{ °C}$
- Numerous installation options thanks to a large range of accessories
- The standard lubricant range includes modern and proven high-performance lubricants for all applications (see pages 12/13)



For more technical information, see  
[www.simatec.com/en/simalube/overview/technical-data](http://www.simatec.com/en/simalube/overview/technical-data)



## Components

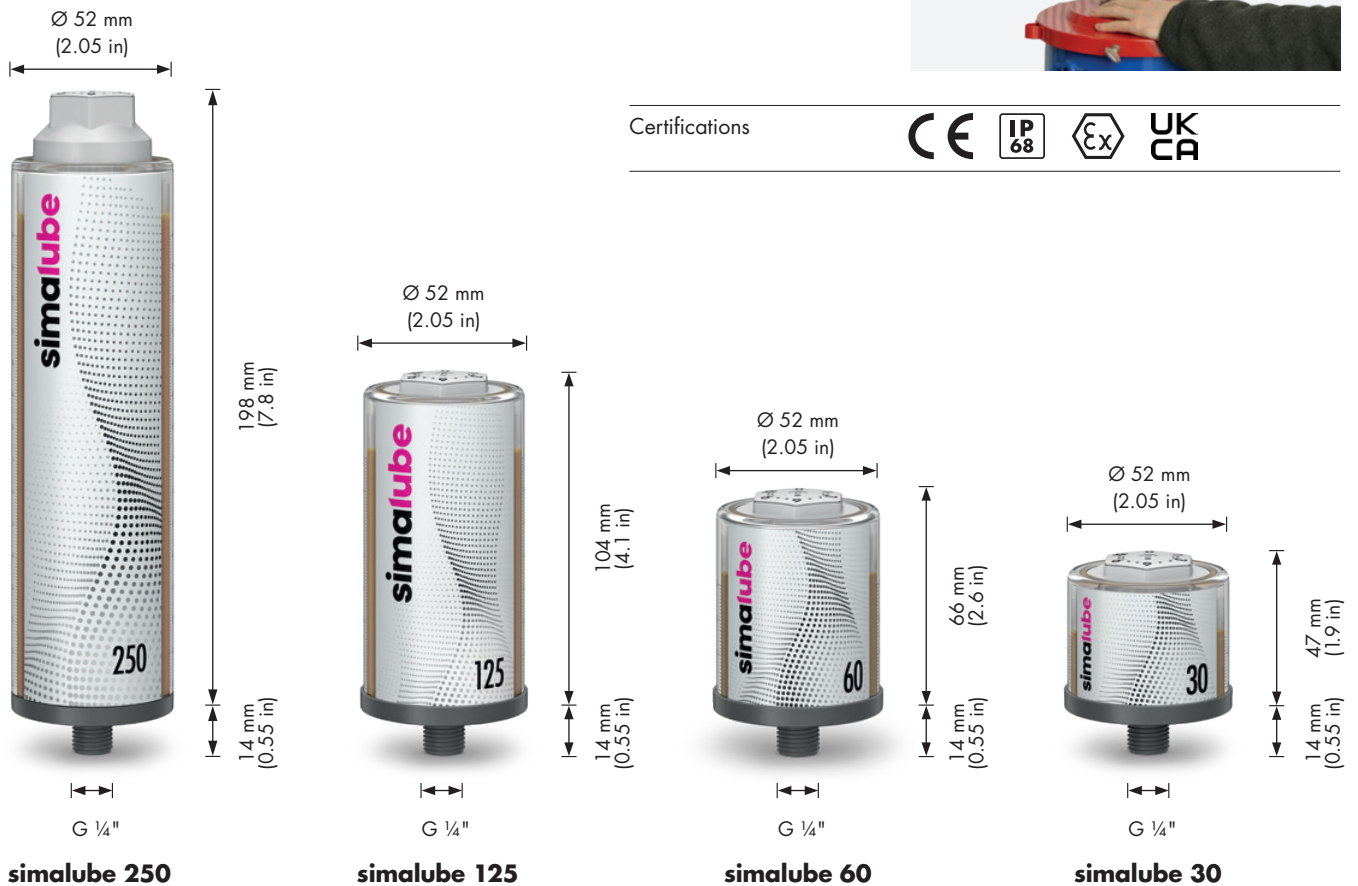


## Specifications

Product	Automatic long-term grease and oil lubricator			
Power generation	Hydrogen gas producing drycell			
Working pressure	Max. 5 bar			
Adjustment	Stepless 1–12 months (for standard conditions)			
Operating temperature	–20 °C to +55 °C ambient temperature (Grease consistency changes with temperature)			
Storage temperature	Recommended at 20 °C ±5 °C			
Lubricator volume	30 ml	60 ml	125 ml	250 ml
Weight full	~83 g	~117 g	~191 g	~380 g
Weight empty	~56 g	~65 g	~80 g	~154 g
Refill	The 15–250 ml simalubes are refillable.			

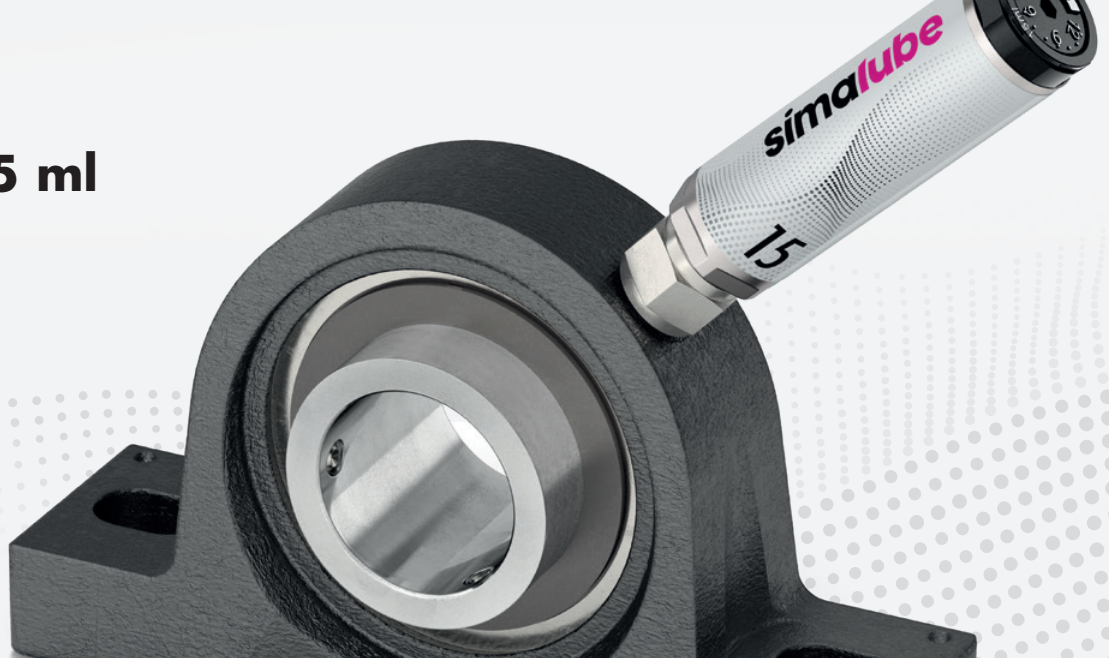


## Certifications



To determine the size and time setting, use our «Calculation Pro» programme on our free app.

# simalube 15 ml



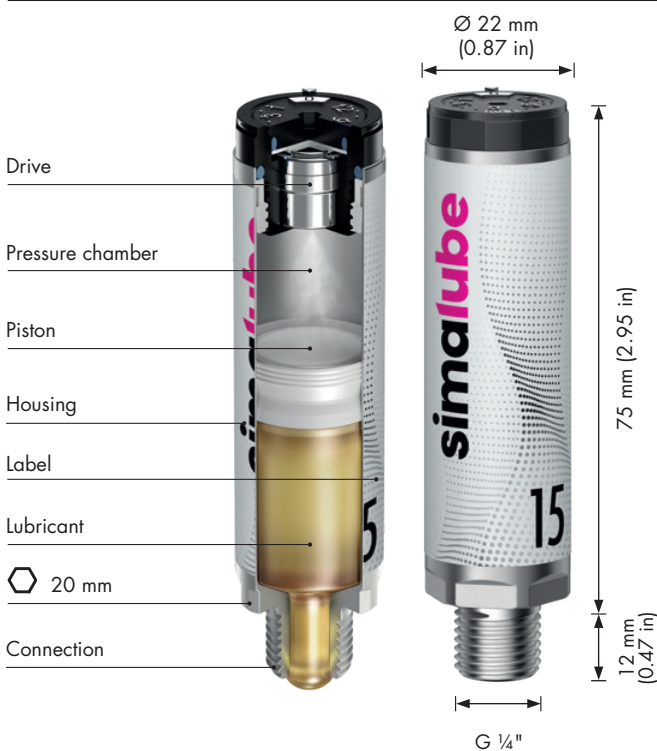
## The smallest automatic lubricator

In confined spaces, the 15 ml simalube offers the perfect solution. With its compact size, it is unique on the global market as the smallest automatic lubricator. It functions the same as the larger simalube lubricators and offers the same advantages.





### Small size delivers big performance

- Space-saving thanks to compact size
- Robust aluminium enclosure
- Same refill, installation and function as other simalube lubricators
- Alternative to the simalube multipoint when less than 5 lubrication points are needed (see page 9)

#### Dimensions



#### Specifications

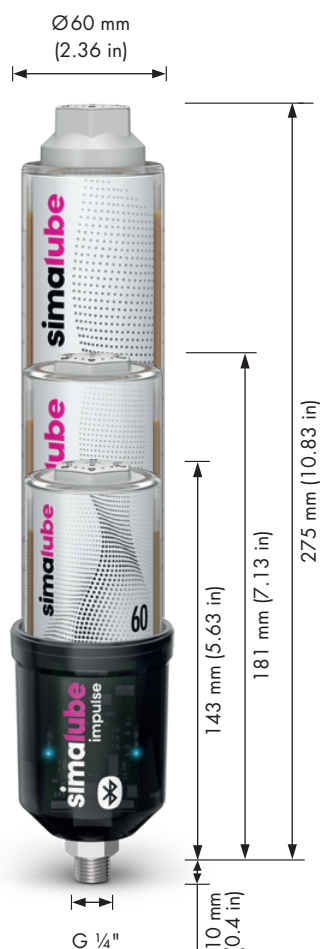
Product	Automatic, long-term grease and oil lubricator
Power generation	Hydrogen gas producing drycell
Working pressure	Max. 5 bar
Adjustment	Stepless 1–12 months (for standard conditions)
Operating temperature	–20 °C to +55 °C ambient temperature (Grease consistency changes with temperature)
Storage temperature	Recommended at 20 °C ±5 °C
Lubricator volume	15 ml
Weight full/empty	~36 g / ~22,5 g
Certifications	   

# simalube IMPULSE connect



## Digital pressure booster up to 10 bar

The simalube IMPULSE connect is the latest generation of the pressure booster from the simalube family. The proven functions of the IMPULSE have been supplemented with the option of connecting the device to a smartphone via Bluetooth®. In connection with the newly developed «simatec world of maintenance» app, the devices can be easily configured and then monitored without having to be directly at the lubrication point. Information such as general status, fill level, lubricant, size, start and change date etc. is displayed to the user and easy to read in the app.



### Technical data

Product	Automatic pressure booster for the simalube lubricator
Drive system	Electromechanical
Power supply	Battery pack* 6 V 2.3 Ah (Alkaline)
Function display	LED status display – green/red/blue every 10 seconds. Monitoring of the operating status via the «simatec world of maintenance» app.
Connectivity**	IMPULSE connect supports Bluetooth® Low Energy 5.0 standard. The connection can reach up to 20 m in an interference free open field environment.
Dispensing volume	0.5 ml per stroke (Impulse)
Working pressure	Up to 10 bar
Operating temperature	-10 °C to +55 °C (14 °F to 131 °F)
Time setting	1 to 12 months – determined by the setting on the simalube «Automatic» mode or the «Time» mode preselected with the app.
Lubrication rate	Depends on the size and settings of the simalube: 0.17 to 8.3 ml/day
Lubricator volume	60 ml, 125 ml, 250 ml
Lubricant	Lubricant greases up to NLGI 2 or oils
Connection thread	G ¼" (with integrated non-return valve)
Warranty & period of use	3 years from the production date or until 10 simalube lubricators (125 ml) have been emptied
Protection rating	<b>CE</b> <b>IP 68</b>

\* The battery pack must be replaced every time the lubricator is replaced.

\*\* The IMPULSE connect can be used without the app.



More technical information and a video for simalube IMPULSE connect can be found at [www.simatec.com/en/simalube/simalube-impulse-connect](http://www.simatec.com/en/simalube/simalube-impulse-connect)





# simalube multipoint



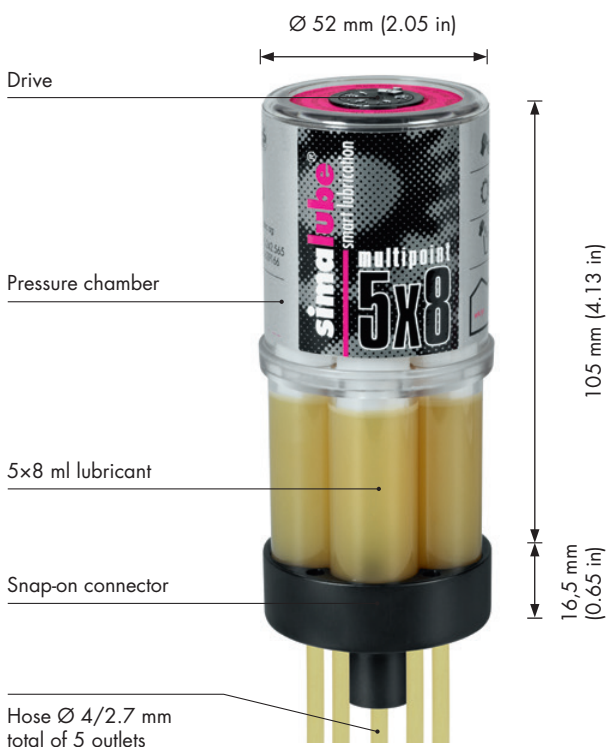
## Automatic multi-point lubricator

The simalube multipoint supplies 5 lubrication points simultaneously for up to one year in the same reliable way as the other proven simalube lubricators. Thanks to the snap-on connector, simalube multipoint can be replaced easily and quickly when empty.




### The versatile lubricator for linear guides

- 5x8 ml lubricant volume
- Allows very low lubricant delivery over a long period of time
- Snap-on connector for multipoint
- Quick couplings for connecting hoses
- Ideally suited for lubrication of linear guides

#### Dimensions



#### Specifications

Product	Automatic, multi-point, long-term lubricators for grease and oil
Power generation	Hydrogen gas producing drycell
Working pressure	Max. 5 bar
Adjustment	Stepless 1–12 months (for standard conditions)
Operating temperature	–20 °C to +55 °C ambient temperature (grease consistency changes with temperature)
Storage temperature	Recommended at 20 °C ±5 °C
Lubricator volume	5x8 ml
Weight full/empty	~147 g / ~120 g
Certifications	  

# simalube applications

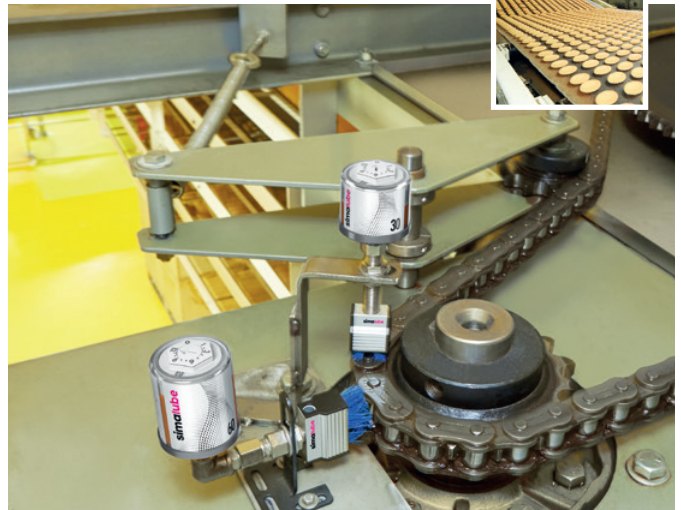


## Lifting devices



The spindles of a lifting station for railway wagons and locomotives are lubricated with 125 ml simalube over 12 months.

## Food industry



The drive chain of a transport belt, which allows rolls to cool, is cleaned with special blue brushes and lubricated with 2 simalube SL18 in 30 and 60 ml sizes.

## Gravel and concrete plants



Two 250 ml simalube lubricators with brushes lubricate and clean the chain drive of a drum washing machine.

## Cranes



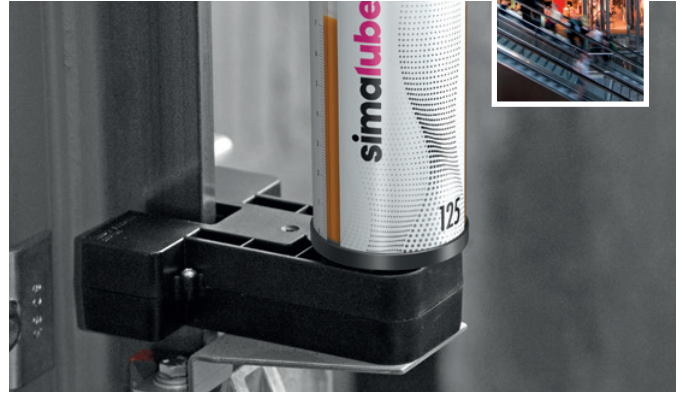
125 ml simalube lubricators lubricate the rotating assembly of a crane.

## Gravel and concrete plants



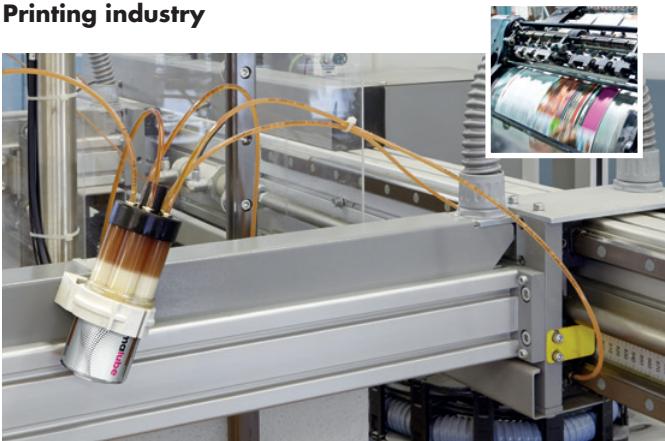
The simalube IMPULSE connect with a 125 ml lubricator is used in gravel plants. The devices are configured and monitored via the «simatec world of maintenance» app.

## Elevators and escalators



The 125 ml simalube maintains the guide rails of elevators and prevents dry friction. The system is attached directly to the cabin roof.

## Printing industry



A simalube multipoint can lubricate 5 linear guides of a cutting and paper stacking machine in a printing house.

## Water and sewage treatment plants



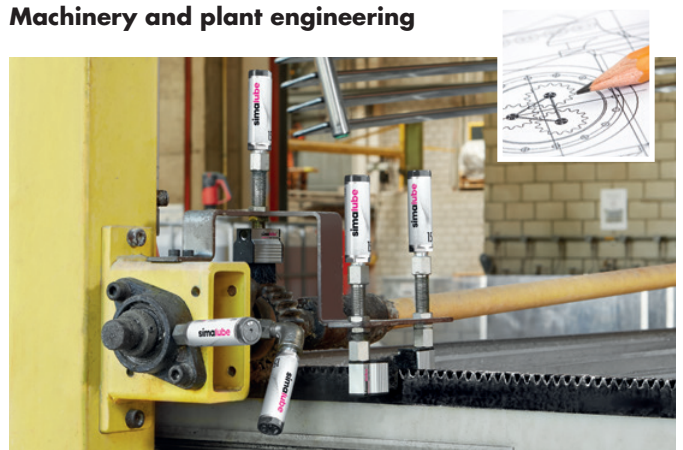
60 ml lubricators on the electric motor and the drive shaft ensure continuous lubrication of a centrifugal pump.

## Recycling



A 125 ml simalube lubricates the pedestal bearing of a conveyor belt.

## Machinery and plant engineering



15 ml simalube lubricators with brushes constantly supply the rack of a loading machine with oil. Additional 15 ml simalube lubricators lubricate the flange bearings with grease.












Many other applications can be found at [www.simatec.com/en/simalube/industries](http://www.simatec.com/en/simalube/industries)





# simalube standard lubricants and accessories

GREASE					Roller bearings	Plain bearings	Linear guides	Gears/Toothed racks	Spindles	Shaft seals	Chains
	NLGI	Thickener	Temperature range	Viscosity at 40 °C							
<b>SL01</b> Multipurpose grease	2	Lithium-calcium	-30 °C to 120 °C	100	+	+	•	•	+	+	-
<b>SL02</b> Multipurpose grease with MoS <sub>2</sub>	2	Lithium	-25 °C to 130 °C	370	•	+	-	+	-	-	-
<b>SL04</b> High temperature grease	2	Inorganic thickener	-20 °C to 160 °C	500	+	•	-	•	•	-	-
<b>SL06</b> Fluid grease (EP)	0	Calcium-lithium	-30 °C to 100 °C	75	+	+	+	+	•	-	-
<b>SL09</b> Biodegradable grease	2	Lithium-calcium	-20 °C to 100 °C	100	+	+	•	•	-	-	-
<b>SL10</b> Food industry grease (NSF H1) 	2	Aluminium complex	-40 °C to 120 °C	330	+	+	•	+	•	-	-
<b>SL12</b> Food industry fluid grease (NSF H1) 	0	Aluminium complex	-40 °C to 130 °C	350	+	+	+	+	•	-	-
<b>SL22</b> Electric motor bearing grease	2	Polyurea	-20 °C to 160 °C	115	+	•	-	•	•	-	-
<b>SL24</b> Grease for a wide temperature range (EP)	2	Lithium complex	-30 °C to 140 °C	185	+	+	•	•	+	+	-
<b>SL26</b> High performance grease (EP)	1,5	Calcium complex	-20 °C to 150 °C	390	+	+	-	•	•	-	-

+ recommended    • possible    - not recommended



Datasheets are available for all greases and oils at [www.simatec.com/en/simalube/overview/lubricants](http://www.simatec.com/en/simalube/overview/lubricants)



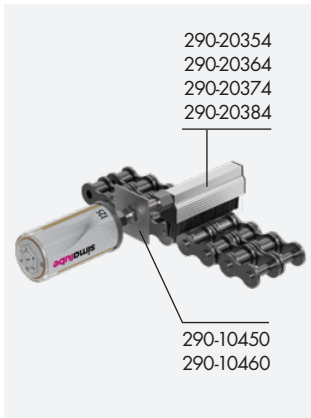
OIL	ISO-VG	Base oil	Temperature range	Viscosity at 40 °C	Roller bearings	Plain bearings	Linear guides	Gears/Toothed racks	Spindles	Shaft seals	Chains
<b>SL14</b> Chain oil (EP)	68	Mineral oil	-10 °C to 90 °C	68	-	•	•	-	-	-	+
<b>SL15</b> High temperature chain oil (EP)	-	Synthetic oil	-30 °C to 250 °C	250	-	•	•	-	-	-	+
<b>SL16</b> Machine oil	68	Mineral oil	-20 °C to 100 °C	68	-	•	•	-	-	-	+
<b>SL18</b> Food industry oil (NSF H1)	220	Synthetic oil	-15 °C to 150 °C	220	-	•	•	-	-	-	+
<b>SL19</b> Biodegradable chain oil	-	Rapeseed oil	-15 °C to 100 °C	60	-	•	•	-	-	-	+

+ recommended    • possible    - not recommended

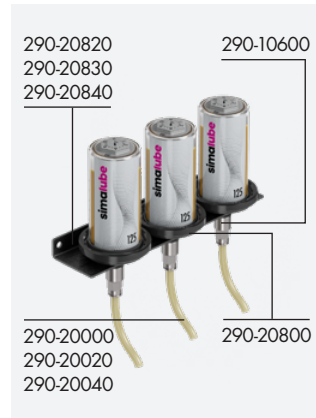
## Application examples

The simalube can be easily installed anywhere and in any position with these accessories.

**Chain lubrication with lateral connection**



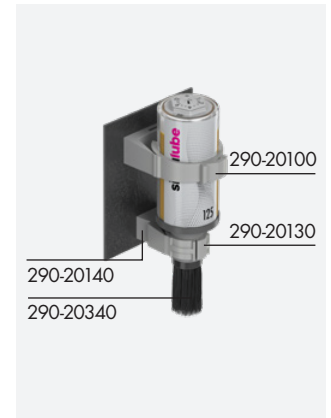
**Mounting bracket**



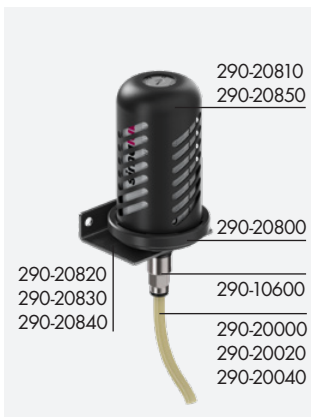
**Lubrication of elevator guides or wire ropes**



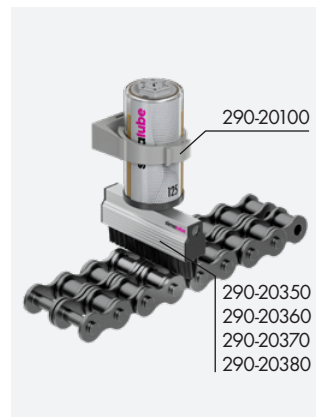
**Chain lubrication with round brush and two clamps**



**Mounting support with protective cover for simalube**



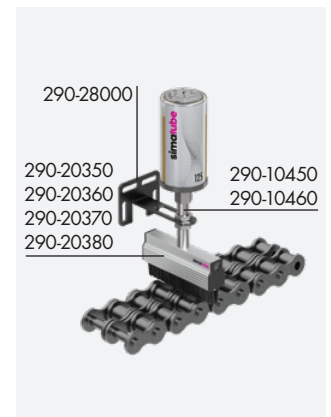
**Chain lubrication with clamp**



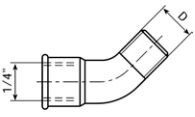
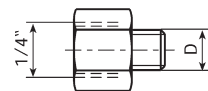
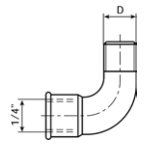
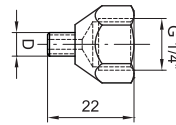
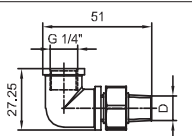
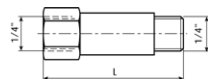
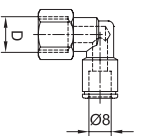
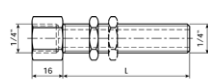
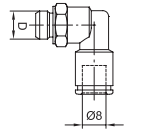
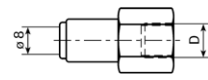
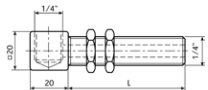
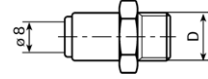
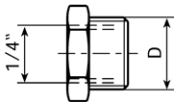
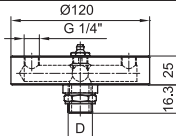
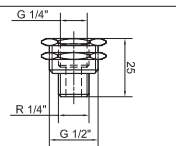
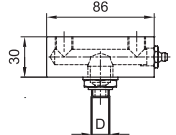
**Round brush with 90° connection**



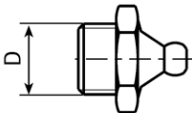
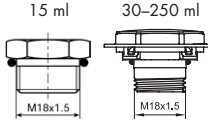
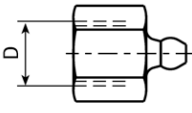
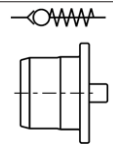
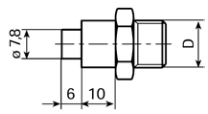
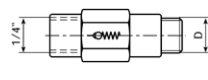
**Chain lubrication with bracket, universally adjustable**



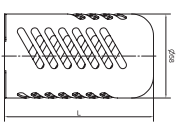
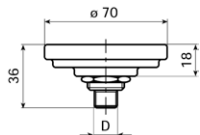
## Connections

	<b>Bent connection 45°</b> <b>D</b>   R 1/4 <b>Nr.</b>   290-10010		<b>Reducing nipple</b> <b>D</b>   G 1/8   G 1/4   M 6   M 8   M 8x1 <b>Nr.</b>   290-10200   290-10210   290-10220   290-10230   290-10240 <b>D</b>   M 10   M 10x1   M 12   M 12x1,5   UNF 1/4 <b>Nr.</b>   290-10250   290-10260   290-10270   290-10280   290-11210
	<b>Bent connection 90°</b> <b>D</b>   R 1/4 <b>Nr.</b>   290-10020		<b>Reducing nipple strong version</b> Inox <b>D</b>   M6   UNF 1/4 <b>Nr.</b>   290-15000   290-15010
	<b>Bent connection 90° swiveling</b> <b>D</b>   R 1/4 <b>Nr.</b>   290-10040		<b>Extension</b> <b>L</b>   10   35   50 [mm] <b>Nr.</b>   290-10210   290-10400   290-10410
	<b>Rotary elbow</b> for hose Ø 8 mm <b>D</b>   G 1/4 <b>Nr.</b>   290-10030		<b>Screwed connection with hole</b> 25 mm incl. 1 nut / 60 mm, incl. 2 nuts <b>L</b>   25   60 [mm] <b>Nr.</b>   290-10450   290-10460
	<b>Rotary elbow</b> for hose Ø 8 mm <b>D</b>   G 1/8   G 1/4 <b>Nr.</b>   290-10070   290-10080		<b>Quick connection</b> for hose Ø 8 mm <b>D</b>   G 1/4 <b>Nr.</b>   290-10600
	<b>Connection 90° with thread</b> incl. 2 nuts (only for oil) <b>L</b>   70 [mm] <b>Nr.</b>   290-10050		<b>Quick connection</b> for hose Ø 8 mm <b>D</b>   G 1/8   G 1/4   G 3/8 <b>Nr.</b>   290-10700   290-10710   290-10720
	<b>Connecting nipple</b> <b>D</b>   G 3/8   G 1/2 <b>Nr.</b>   290-10100   290-10110		<b>4-fold adapter</b> <b>D</b>   G 1/2   G 1/4 <b>Nr.</b>   290-41000   290-41010
	<b>Fixation nipple G 1/2" - R 1/4"</b> <b>L</b>   25 [mm] <b>Nr.</b>   290-10150		<b>2-fold adapter</b> <b>D</b>   G 1/2   G 1/4 <b>Nr.</b>   290-41020   290-41030

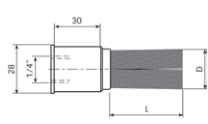
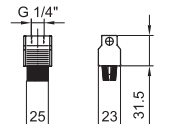
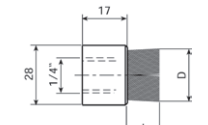
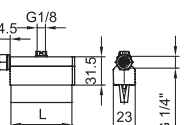
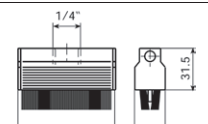
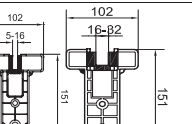
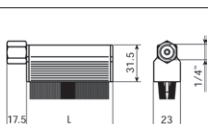
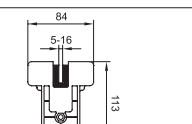
## Lubricator accessories and miscellaneous

	<b>Filling nipple</b> for cleaning and filling of grease lines <b>D</b>   R 1/4 <b>Nr.</b>   290-30110		<b>Gas generator</b> for refilling <table border="1"> <tr> <td>15 ml</td> <td>30 ml</td> <td>60 ml</td> <td>125 ml</td> <td>250 ml</td> </tr> <tr> <td><b>Nr.</b>   220-50020</td> <td>220-50040</td> <td>220-50060</td> <td>220-50080</td> <td>220-50100</td> </tr> </table>	15 ml	30 ml	60 ml	125 ml	250 ml	<b>Nr.</b>   220-50020	220-50040	220-50060	220-50080	220-50100
15 ml	30 ml	60 ml	125 ml	250 ml									
<b>Nr.</b>   220-50020	220-50040	220-50060	220-50080	220-50100									
	<b>Refill nipple</b> for refilling of simalube <b>D</b>   G 1/4 <b>Nr.</b>   290-30120		<b>Non-return valve plug</b> Plastic <b>Nr.</b>   290-50600										
	<b>Refill nipple</b> for filling the simalube with grease gun filler <b>D</b>   R 1/4   R 3/8 <b>Nr.</b>   290-30130   290-30140		<b>Non-return valve</b> <b>D</b>   G 1/8   G 1/4   G 1/4 <b>Nr.</b>   290-20200   290-20210   290-20230 <b>Bar</b>   0.05   0.05   1.0										

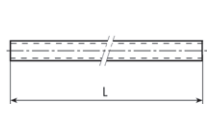
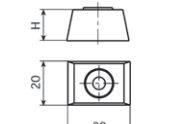
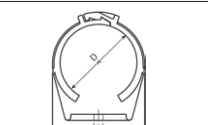
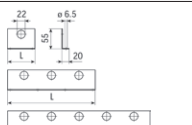
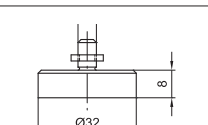
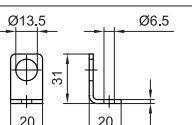

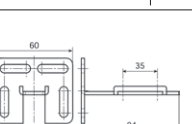
## Safety accessories

	<b>Protective cover</b> for mounting support art. 290-20800 <table border="1"> <tr> <td>30 ml</td> <td>≤125 ml</td> <td>250 ml</td> </tr> <tr> <td><b>L</b>   43</td> <td>105</td> <td>195 [mm]</td> </tr> <tr> <td><b>Nr.</b>   290-20860</td> <td>290-20810</td> <td>290-20850</td> </tr> </table>	30 ml	≤125 ml	250 ml	<b>L</b>   43	105	195 [mm]	<b>Nr.</b>   290-20860	290-20810	290-20850		<b>Mounting support</b> for all simalube sizes <b>D</b>   R 1/4 <b>Nr.</b>   290-20800
30 ml	≤125 ml	250 ml										
<b>L</b>   43	105	195 [mm]										
<b>Nr.</b>   290-20860	290-20810	290-20850										

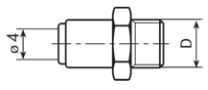
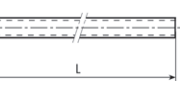
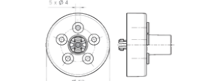
## Brushes

	<b>Round brush</b> <b>DxL</b>   $\varnothing 25 \times 45$ [mm] <b>Nr.</b>   290-20340		<b>Brush for high temperatures</b> <b>H</b>   25 [mm] <b>Nr.</b>   290-20500
	<b>Round brush short</b> <b>DxL</b>   $\varnothing 25 \times 15$ [mm] <b>Nr.</b>   290-20410		<b>Brush for high temperatures</b> Connection on top and side <b>H</b>   40   100 [mm] <b>Nr.</b>   290-20510   290-20530
	<b>Brush</b> FN for food applications <b>L</b>   25   40   70   100 [mm] <b>Nr.</b>   290-20380   290-20350   290-20360   290-20370 <b>Nr.</b>   290-20385   290-20355   290-20365   290-20375		<b>Elevator brush</b> <b>Elevator brush</b> 5-16 mm, height 32 mm     16-32 mm, height 32 mm <b>Nr.</b>   290-20390 <b>Nr.</b>   290-20440
	<b>Brush lateral connection</b> SFN for food applications <b>L</b>   25   40   70   100 <b>Nr.</b>   290-20384   290-20354   290-20364   290-20374 <b>Nr.</b>   290-20357   290-20367   290-20377		<b>Elevator brush small</b> 5-16 mm, height 32 mm <b>Nr.</b>   290-20420

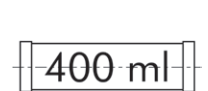

## Installation accessories

	<b>a) Hose</b> <b>b) Hose for temperatures up to 260 °C</b> <b>c) Hose for small bend radius</b> <b>L</b>   available by the metre, $\varnothing 8/6$ mm <b>Nr.</b>   290-20000/...m   290-20020/...m   290-20040/...m		<b>Distance holder</b> to clamp for round brush art. 290-20130 <b>H</b>   15 [mm] <b>Nr.</b>   290-20140
	<b>Clamp for simalube/round brush</b> Plastic <b>D</b>   22 (SL 15 ml)   28 (Brush)   50 (SL 30-250 ml) [mm] <b>Nr.</b>   290-20150   290-20130   290-20100		<b>Bracket</b> to mounting support simalube art. 290-20800 <b>L</b>   1x   3x   5x   75   240   390 [mm] <b>Nr.</b>   290-20820   290-20830   290-20840
	<b>Magnetic fixture</b> for clamps <b>Nr.</b>   290-20190		<b>Bracket</b> for simalube 15-60 ml <b>Nr.</b>   290-20870
	<b>Adapter for clamp (60 mm)</b> Plastic <b>D</b>   50 [mm] <b>Nr.</b>   290-20120		<b>Bracket</b> universally adjustable <b>Nr.</b>   290-28000

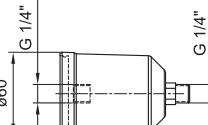
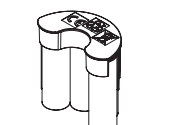
## simalube multipoint installation components

	<b>Quick connection</b> for hose $\varnothing 4$ mm <b>D</b>   G 1/8   G 1/4   M 5   M 6 <b>Nr.</b>   290-11700   290-11710   290-11720   290-11730		<b>Hose</b> available by the metre <b>L</b>   per metre $\varnothing 4/2,7$ mm <b>Nr.</b>   290-21000/...m
	<b>Connection SLM</b> <b>D</b>   5x $\varnothing 4$ mm <b>Nr.</b>   290-29000		

## Grease cartridges and oil bottles for prelubrication

	<b>Grease cartridge</b> 400 ml <b>Nr.</b>   SL01   SL02   SL04   SL06   SL09   290-70010   290-70020   290-70040   290-70060   290-70090 <b>Nr.</b>   SL10   SL12   SL24   SL25   SL26   290-70100   290-70120   290-70240   290-70250   290-70260		<b>Oil bottle</b> 0,5 l <b>Nr.</b>   SL14   SL15   SL16   SL18   SL19   290-71140   290-71150   290-71160   290-71180   290-71190
---	--	--	--

## simalube IMPULSE accessories

	<b>simalube IMPULSE connect</b> pressure booster <b>Nr.</b>   230-10100		<b>Battery pack</b> <b>Power</b>   6 V 2,3 Ah <b>Nr.</b>   230-50000
---	---	--	--

## simatec – innovative solutions that deliver outstanding customer benefits

simatec is an international, Swiss family enterprise. Since its founding in 1983, this motivated team has been developing, manufacturing and marketing innovative products for the maintenance of rolling bearings under the brand names of simalube, simatherm and simatool.

The direct customer benefits are always at the forefront. Using newly developed technologies, simatec simplifies complex processes and reduces routine maintenance for tens of thousands of machines around the globe.

Selected distribution partners sell simatec maintenance products around the world. They provide professional service and individual, expert advice.

## Maintenance products by simatec – industrial technology



### Lubricators

The simalube lubricator provides automatic lubrication over a period of one month to a year and can be adjusted in an infinitely variable manner. simalube supplies every lubricating point with the ideal amount of lubricant – be it oil or grease – so that subsequent manual lubrication is no longer needed and maintenance costs are reduced in the long term.

**simalube**



### Induction Heaters

simatherm induction heaters heat circular metal parts, such as roller bearings, in a very short amount of time, so they can be installed quickly and efficiently. The inductive heating of metallic workpieces makes sense from both an economical and ecological perspective. simatec is the world's leading manufacturer of these types of heaters.

**simatherm**



### Tools

The simatool toolkits enable the fast installation and removal of roller bearings and seals. They are used all over the world in machine and maintenance workshops within all industries.

**simatool**